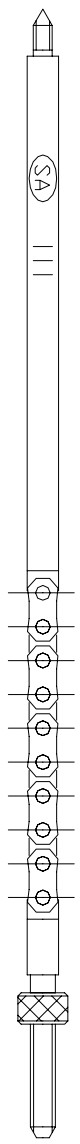
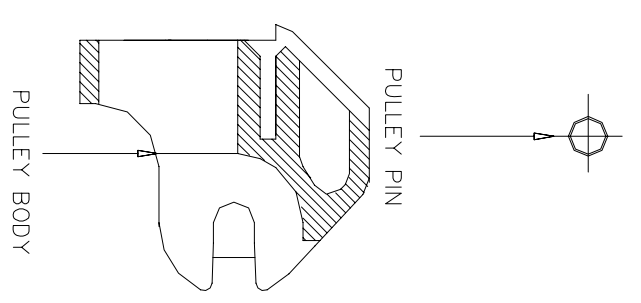
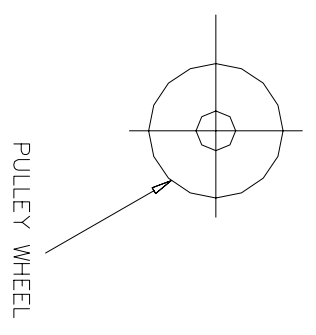
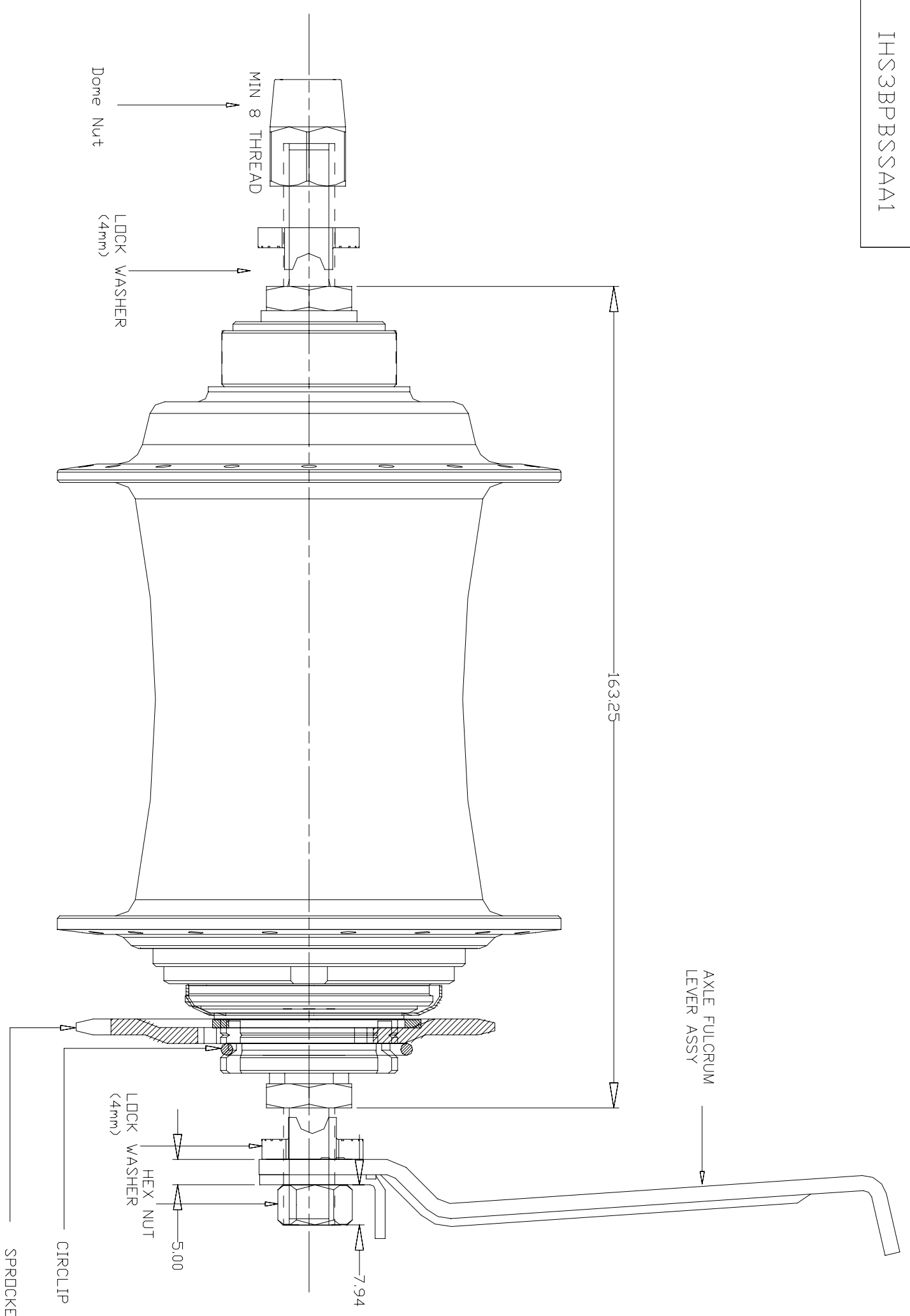


DRG. No.

IHS3BPBSSAA1



INDICATOR ASSEMBLY (3 MARK) 3810.0605.002

SunRace Sturmey-Archer Inc.

TOLERANCES		APPROVAL		Check	
LENGTH UNIT : MM					
0~6 ±0.1	31~120 ±0.3	316~	±0.5		
7~30 ±0.2	121~135 ±0.4				
ANGLE UNIT : °					
7~30 ±0.2					
MATERIAL	TBD	DESIGNED	loba ten	DRAWN	loba ten
HEAT TREATMENT		FINISH		SCALE	1 : 1
CASE DEPTH	CASE HARDNESS	CORE HARDNESS	ANGLE	DRAWN DATE	03-May-04
AT POSITION	▽	UNIT	M/M	REVISION	VERSION
					+
TITLE		DRG. NO.		IHS3BPBSSAA1	
SX-RB3					
Modify record					

A3