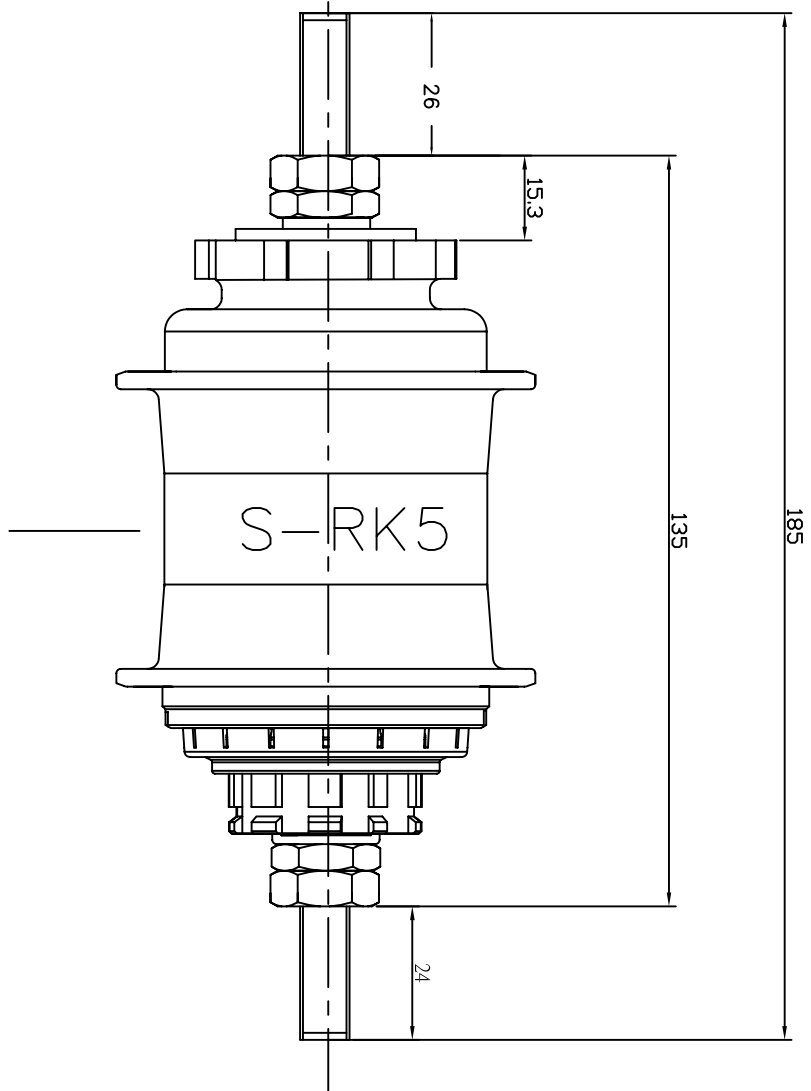
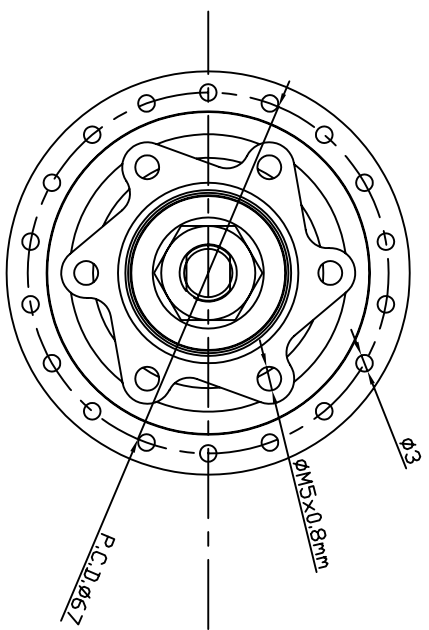


IHN5K.QBL.S.AA1



SunRace Sturmey-Archer Inc.

A3 ©

TOLERANCES		APPROVAL		Check	
LENGTH UNIT : MM	31-120	±0.3	316~	40.5	
0-6	±0.1				
7-30	±0.2	121-135	±0.4		
ANGLE UNIT : °	±2°				
MATERIAL		DESIGNED		DRAWN	
HEAT TREATMENT		FINISH		SCALE	
CASE DEPTH		CASE HARDNESS		CORE HARDNESS	
ANGLE		ANGLE		SCALE	
AT POSITION		UNIT		DRAWN DATE	
TITLE		DRG. No.		VERSION	
S-RK5(N)		IHN5K.QBL.S.AA1		0	
Modify record		SAL:*****			