

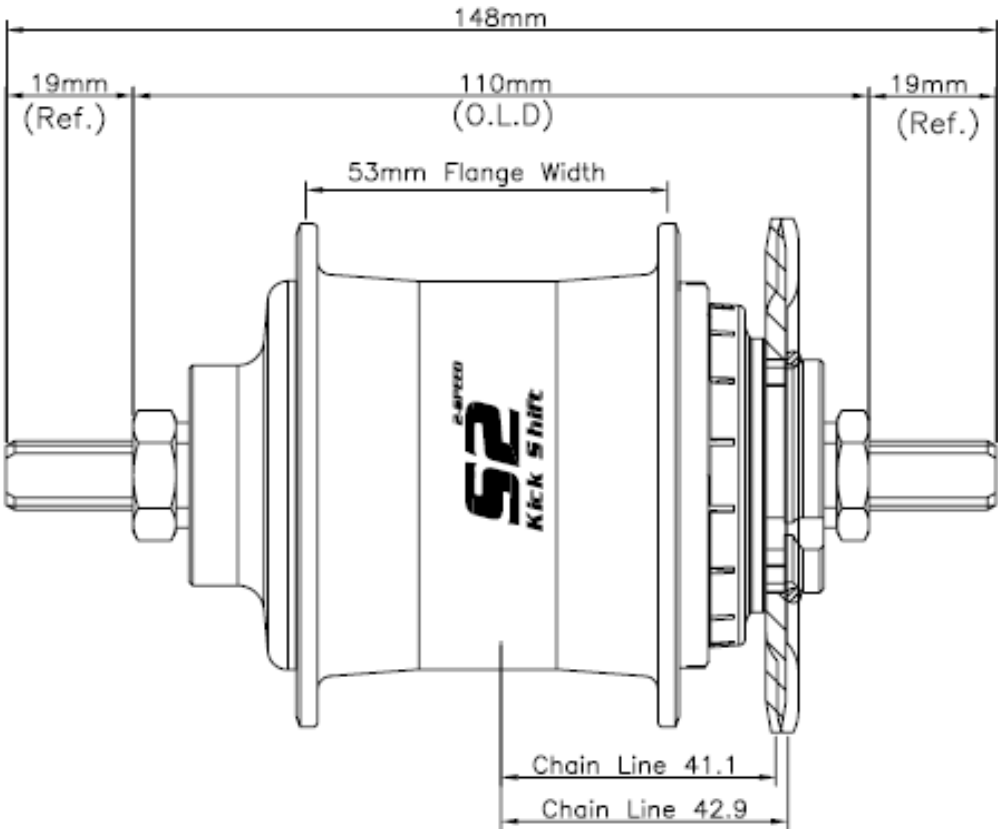
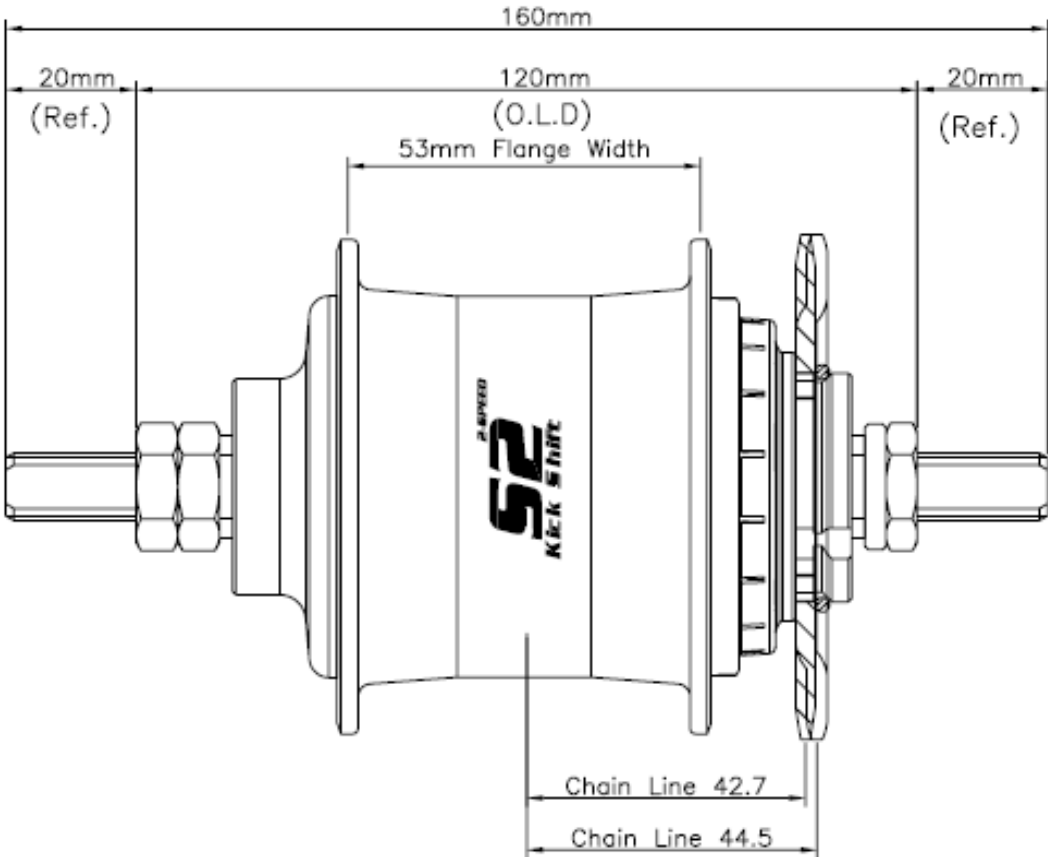
S2
DUOMATIC Kick Shift 2spd Spec (138%)

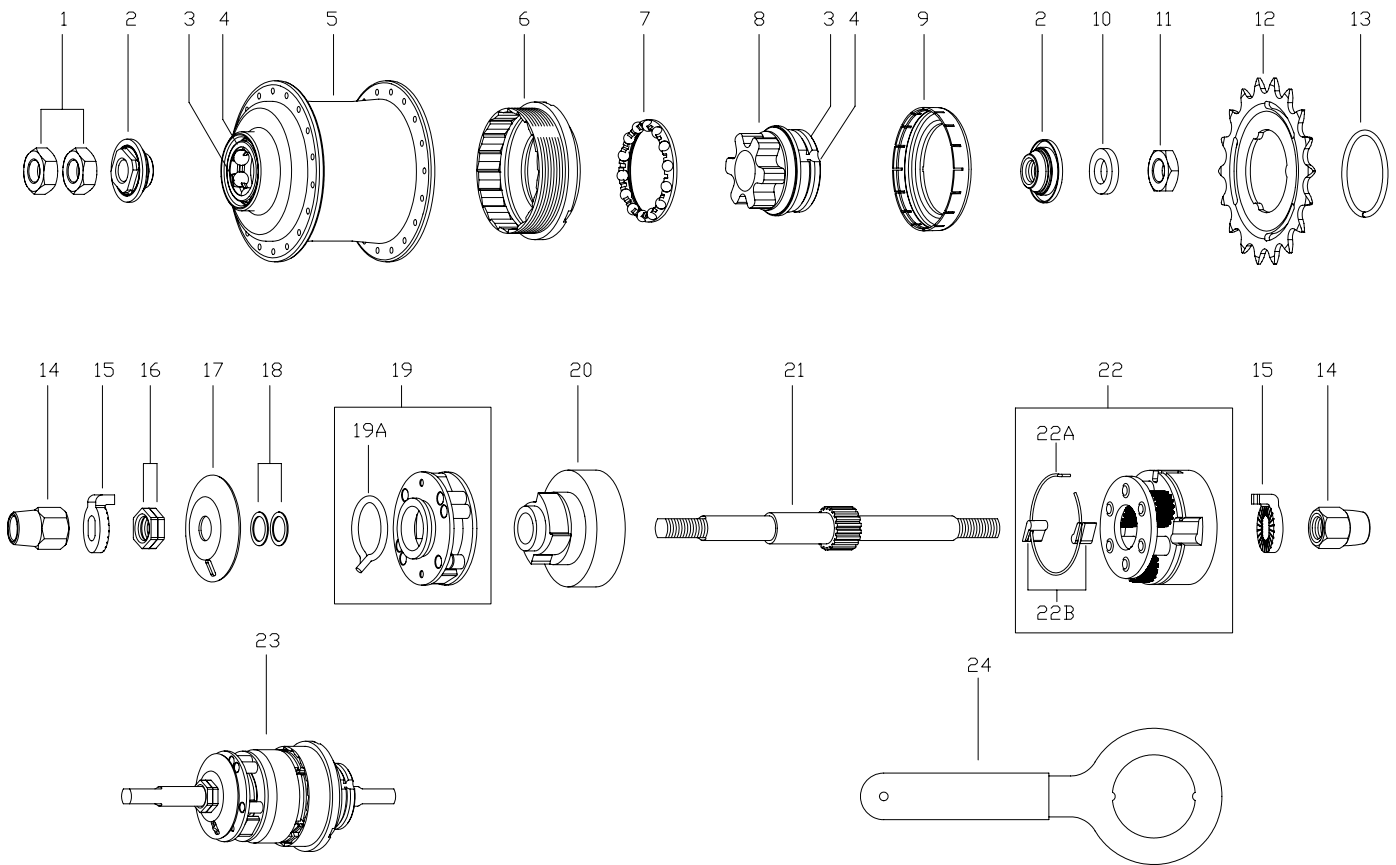
Model Name		S2			
Model No. (Alloy Silver)		IHK2F.QBSS.AA0	IHK2F.QCSS.AA0	IHK2F.QDSS.AA0	IHK2F.QDCS.AA0
Model No. (Black)		IHK2F.QBSS.BA0	IHK2F.QCSS.BA0	IHK2F.QDSS.BA0	IHK2F.QDCS.BA0
Model No. (Gold)		IHK2F.QBSS.GA0	IHK2F.QCSS.GA0	IHK2F.QDSS.GA0	IHK2F.QDCS.GA0
Model No. (Red)		IHK2F.QBSS.RA0	IHK2F.QCSS.RA0	IHK2F.QDSS.RA0	IHK2F.QDCS.RA0
Model No. (Blue)		IHK2F.QBSS.2A0	IHK2F.QCSS.2A0	IHK2F.QDSS.2A0	IHK2F.QDCS.2A0
Model No. (Purple)		IHK2F.QBSS.3A0	IHK2F.QCSS.3A0	IHK2F.QDSS.3A0	IHK2F.QDCS.3A0
Speed		2 Speed			
Type		Freewheel			
Hub Shell Material		6061 Aluminum			
Finish		High Polished + Anodized			
Gear Ratio	Overall Range	138%			
	1	100%	Direct Drive		
	2	138%	(+) 38%	[Gear 1 (+) 38%]	
Axle Diameter		13/32"Slotted			
Axle Length		160mm			148mm
Over Locknut Dimension		120mm			110mm
R: Axle Protrusion Length		20mm			19mm
L: Axle Protrusion Length		20mm			19mm
Spoke Holes		(B)36H	(C)32H	(D)28H	(D)28H
Pitch Circle Diameter		67mm			67mm
Flange Width		53mm			53mm
Sprocket Compatibility		14G			14G
Sprocket Teeth		13~24			13~24
Chain Line: 1/8" Flat		42.7mm			41.1mm
Chain Line: 1/8" Dished		40.9mm / 44.5mm			39.3mm / 42.9mm
Chain Line: 3/32" Flat		42.3mm / 43.1mm			40.7mm / 41.5mm
Chain Line: 3/32" Dished		40.8mm / 44.6mm			39.2mm / 43mm
Weight		930g			920g



2010-05

S2
DUOMATIC Kick Shift 2spd Spec (138%)





Item Sales

No.	No.	Description
1	HMN428	Cone Locknut (Xylan)-6.4mm 160mm axle type needs 2 pieces 148mm axle type needs 1 piece
2	HSA101	Cone
3	HSA284	Ball Cage Assembly R.H.
4	HSA102	Outer Dustcap
5	HSA773	Hub Shell Assy.-36H/Alloy
	HSA774	Hub Shell Assy.-36H/Black
	HSA775	Hub Shell Assy.-36H/Gold
	HSA776	Hub Shell Assy.-36H/Red
	HSA777	Hub Shell Assy.-36H/Blue
	HSA778	Hub Shell Assy.-36H/Purple
	HSA779	Hub Shell Assy.-32H/Alloy
	HSA780	Hub Shell Assy.-32H/Black
	HSA781	Hub Shell Assy.-32H/Gold
	HSA782	Hub Shell Assy.-32H/Red
	HSA783	Hub Shell Assy.-32H/Blue
	HSA784	Hub Shell Assy.-32H/Purple
6	HSA584	Ball Ring
7	HSA438	Ball Cage Assembly
8	HSA785	Driver Assembly
9	HSL871	Plastic Sprocket Dustcap

Item Sales

No.	No.	Description
10	HMW129	Spacing Washer-3.2mm (only for 160mm axle type)
11	HMN429	Locknut 4.8mm
12	HSL854	13T(Chrome) / HSL713 13T(Black)
	HSL852	14T(Chrome) / HSL714 14T(Black)
	HSL850	15T(Chrome) / HSL715 15T(Black)
	HSL848	16T(Chrome) / HSL716 16T(Black)
	HSL846	17T(Chrome) / HSL772 17T(Black)
	HSL844	18T(Chrome) / HSL818 18T(Black)
	HSL836	19T(Chrome) / HSL719 19T(Black)
	HSL834	20T(Chrome) / HSL720 20T(Black)
	HSL832	21T(Chrome) / HSL747 21T(Black)
	HSL830	22T(Chrome) / HSL722 22T(Black)
13	HSL721	Sprocket Circlip
14	HMN388	Dome Nut
15	HMW518	Lockwasher
16	HMN382	Locknut
17	HSA786	Shift Drag Spring Bracket
18	HMW327	Washer
19	HSA787	Shift Pawl Cage Assembly
19A	HSA788	Shift Pawl Cage Drag Spring
20	HSA789	Gear Ring

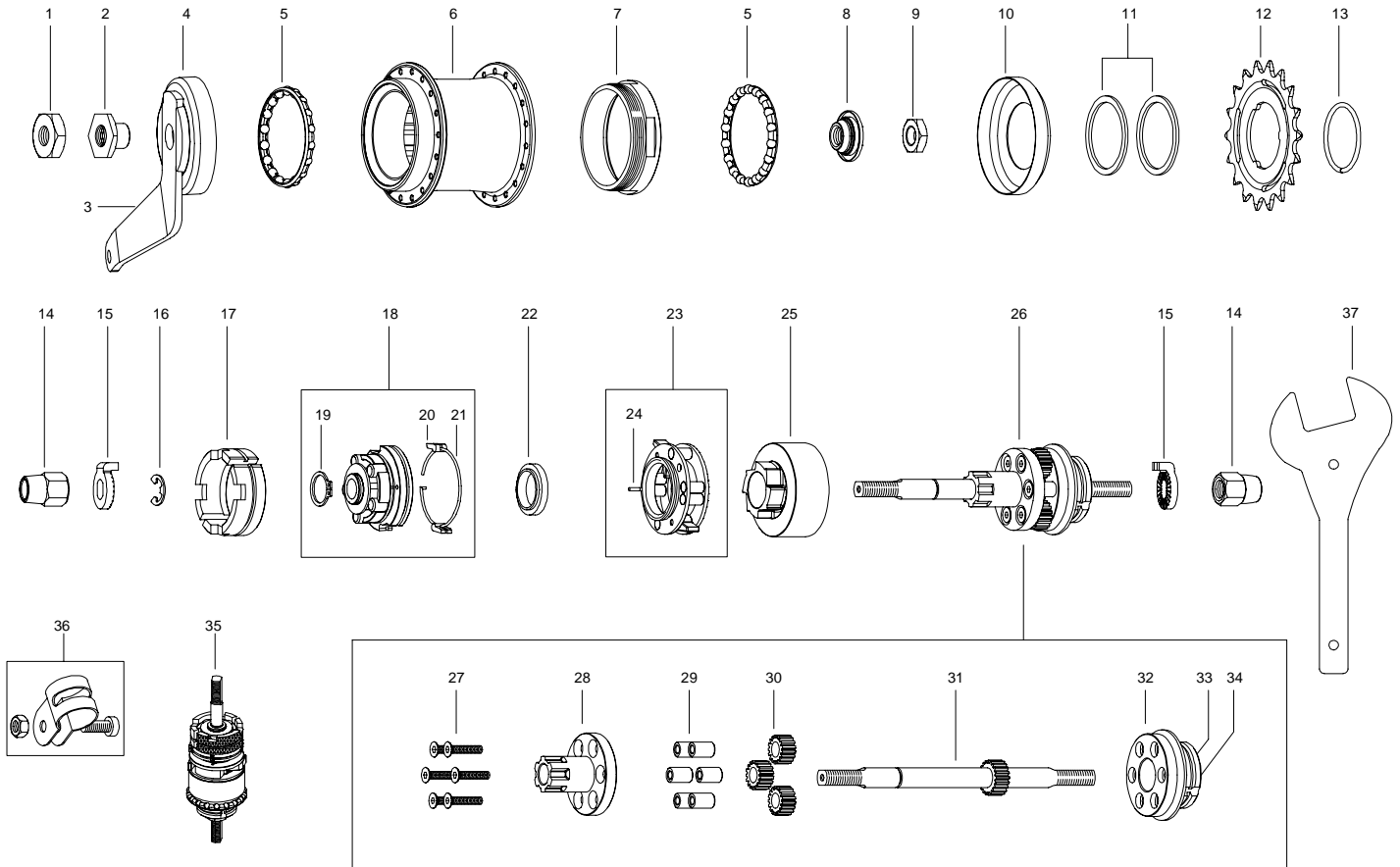
Item Sales

No.	No.	Description
21	HSA790	Axle-160mm
	HSA791	Axle-148mm
22	HSA792	Planet Cage Assembly
22A	HSA450	Pawl Spring Circlip
22B	HSA793	Pawl
23	H SX163	Gear Internal Assembly-160mm
	H SX164	Gear Internal Assembly-148mm
24	HTR145	Ball Ring Spanner

Sun Race Sturmey-Archer Inc.
No.51. Hai-Shan-Jung St., Hai-Hu Village,
Lu-Ju City, Taoyuan County 338, Taiwan
Tel: +886 (3) 354-3900, Fax: +886 (3) 354-2858
http://www.sunrace.com; www.sturmey-archer.com
E-mail: info@sunrace.com

Sun Race Sturmey-Archer Europe
Keienbergweg 79, 1101 GE Amsterdam,
The Netherlands
Tel: +31 (20) 609-0221. Fax: +31 (20) 609-0211
http://www.sunrace.com; www.sturmey-archer.com
E-mail: info@sunrace.nl

Sun Race Sturmey-Archer USA
1436 Second Street, #409 Napa, CA 94559 USA
Tel: +1 (707) 259-6700, Fax: +1 (707) 259-6710
http://www.sunrace.com; www.sturmey-archer.com
E-mail: info@sunraceusa.com



Item Sales

No.	No.	Description
1	HMN424	Cone Locknut (Xylan)
2	HMN425	Brake Adjuster Nut (Xylan)
3	HSH487	Brake Arm
4	HSH495	Brake Arm/Cone Assembly
5	HSA164	L.H. Ball Cage Assembly
6	HSA745	Hub Shell Assy.-36H/Alloy
	HSA746	Hub Shell Assy.-36H/Black
	HSA747	Hub Shell Assy.-36H/Gold
	HSA748	Hub Shell Assy.-36H/Red
	HSA749	Hub Shell Assy.-36H/Blue
	HSA750	Hub Shell Assy.-36H/Purple
	HSA751	Hub Shell Assy.-32H/Alloy
	HSA752	Hub Shell Assy.-32H/Black
	HSA753	Hub Shell Assy.-32H/Gold
	HSA754	Hub Shell Assy.-32H/Red
	HSA755	Hub Shell Assy.-32H/Blue
	HSA756	Hub Shell Assy.-32H/Purple
7	HSA757	Ball Ring
8	HSA101	R.H. Cone
9	HMN405	Cone Locknut

Item Sales

No.	No.	Description
10	HSL921	Dust Cap
11	HMW127	Spacer
12	HSL854	13T(Chrome) / HSL713 13T(Black)
	HSL852	14T(Chrome) / HSL714 14T(Black)
	HSL850	15T(Chrome) / HSL715 15T(Black)
	HSL848	16T(Chrome) / HSL716 16T(Black)
	HSL846	17T(Chrome) / HSL772 17T(Black)
	HSL844	18T(Chrome) / HSL818 18T(Black)
	HSL836	19T(Chrome) / HSL719 19T(Black)
	HSL834	20T(Chrome) / HSL720 20T(Black)
	HSL832	21T(Chrome) / HSL747 21T(Black)
	HSL830	22T(Chrome) / HSL722 22T(Black)
13	HSL721	Sprocket Circlip
14	HMN388	Dome Nut
15	HMW518	Lockwasher
16	HSL926	E-clip No.8
17	HSH496	Brake Shoes Assembly
18	HSH498	Roller Retainer & Brake Actuator Assembly-A2
19	HSL789	C-clip No. 16

Item Sales

No.	No.	Description
20	HSA410	Pawl
21	HSA450	Pawl Spring Circlip
22	HSA795	Support Sleeve
23	HSA758	Shift Pawl Cage Assembly
24	HSA759	Shift Pawl Cage Spring
25	HSA762	Gear Ring
26	HSA763	Driver/Planet Cage/Axle Assembly
27	HSA764	Screw for Planet Cage
28	HSA765	Planet Cage
29	HSA766	Bushing for Planet Cage
30	HSA767	17T Planet Pinion
31	HSA768	Axle
32	HSA769	Driver Assembly
33	HSA284	Ball Cage Assembly R.H.
34	HSA102	Outer Dustcap
35	HSX157	Gear Internal Assembly Complete
36	HSL767	Brake Arm Clip Assy.-15.5mm
	HCB101	Brake Arm Clip Assy.-15.9mm
37	HTR144	S2C Ball Ring Spanner

Sun Race Sturmey-Archer Inc.
No.51. Hai-Shan-Jung St., Hai-Hu Village,
Lu-Ju City, Taoyuan County 338, Taiwan
Tel: +886 (3) 354-3900, Fax: +886 (3) 354-2858
http://www.sunrace.com; www.sturmey-archer.com
E-mail: info@sunrace.com

Sun Race Sturmey-Archer Europe
Keienbergweg 79, 1101 GE Amsterdam,
The Netherlands
Tel: +31 (20) 609-0221. Fax: +31 (20) 609-0211
http://www.sunrace.com; www.sturmey-archer.com
E-mail: info@sunrace.nl

Sun Race Sturmey-Archer USA
1436 Second Street, #409 Napa, CA 94559 USA
Tel: +1 (707) 259-6700, Fax: +1 (707) 259-6710
http://www.sunrace.com; www.sturmey-archer.com
E-mail: info@sunraceusa.com

S2C / B2C
DUOMATIC Kick Shift 2-Spd Coaster Brake Spec (138%)

Model Name		S2C			B2C
Model No. (Alloy Silver)		IHK2C.QBSS.AA0	IHK2C.QCSS.AA0	IHK2C.QDSS.AA0	×
Model No. (Black)		IHK2C.QBSS.BA0	IHK2C.QCSS.BA0	IHK2C.QDSS.BA0	IHK2C.WBSS.BA0
Model No. (Gold)		IHK2C.QBSS.GA0	IHK2C.QCSS.GA0	IHK2C.QDSS.GA0	×
Model No. (Red)		IHK2C.QBSS.RA0	IHK2C.QCSS.RA0	IHK2C.QDSS.RA0	×
Model No. (Blue)		IHK2C.QBSS.2A0	IHK2C.QCSS.2A0	IHK2C.QDSS.2A0	×
Model No. (Purple)		IHK2C.QBSS.3A0	IHK2C.QCSS.3A0	IHK2C.QDSS.3A0	×
Speed		2 Speed			2 Speed
Type		Coaster Brake			Coaster Brake
Hub Shell Material		6061 Aluminum			Steel
Hub Shell Finish		High Polished + Anodized			Painted
Gear Ratio	Overall Range	138%			138%
	1	100%	Direct Drive		Direct Drive
	2	138%	(+) 38%	[Gear 1 (+) 38%]	(+) 38%
Axle Diameter		13/32"Slotted			13/32"Slotted
Axle Length		162mm			162mm
Over Locknut Dimension		116mm			116mm
R: Axle Protrusion Length		23mm			23mm
L: Axle Protrusion Length		23mm			23mm
Spoke Holes		(B)36H	(C)32H	(D)28H	(B)36H
Pitch Circle Diameter		67mm			65mm
Flange Width		53mm			55mm
Sprocket Compatibility		14G			14G
Sprocket Teeth		13~24T			13~24T
Chain Line: 1/8" Flat		43mm			43mm
Chain Line: 1/8" Dished		41.2mm / 44.8mm			41.2mm / 44.8mm
Chain Line: 3/32" Flat		42.6mm / 43.4mm			42.6mm/43.4mm
Chain Line: 3/32" Dished		41.1mm / 44.9mm			41.1mm /44.9mm
Weight		1,400g			1,390g

S2C / B2C
DUOMATIC Kick Shift 2-Spd Coaster Brake Spec (138%)

