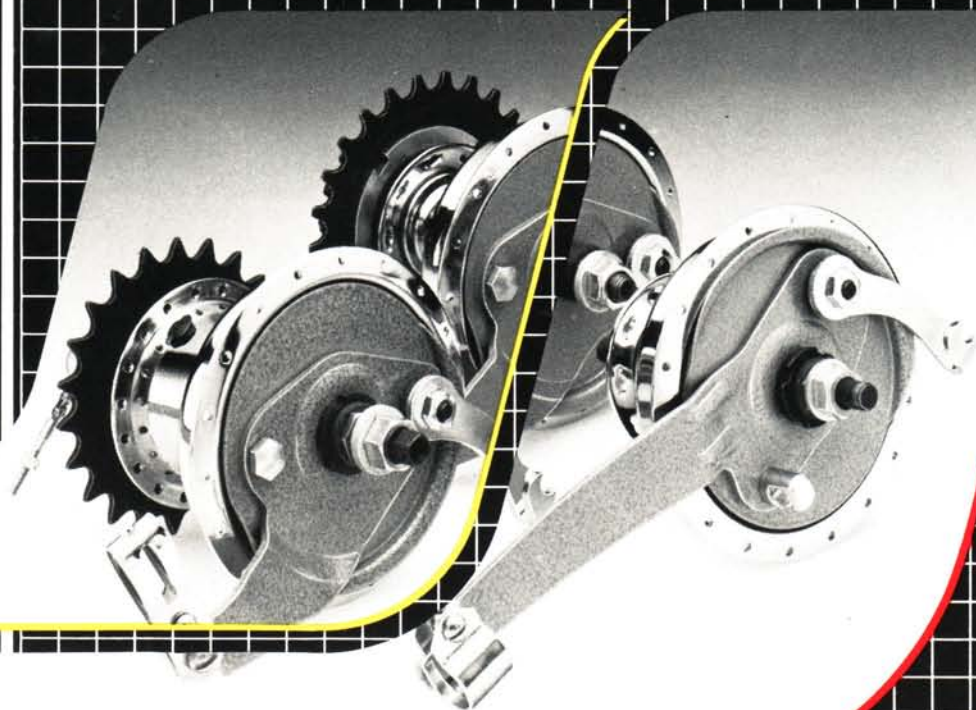
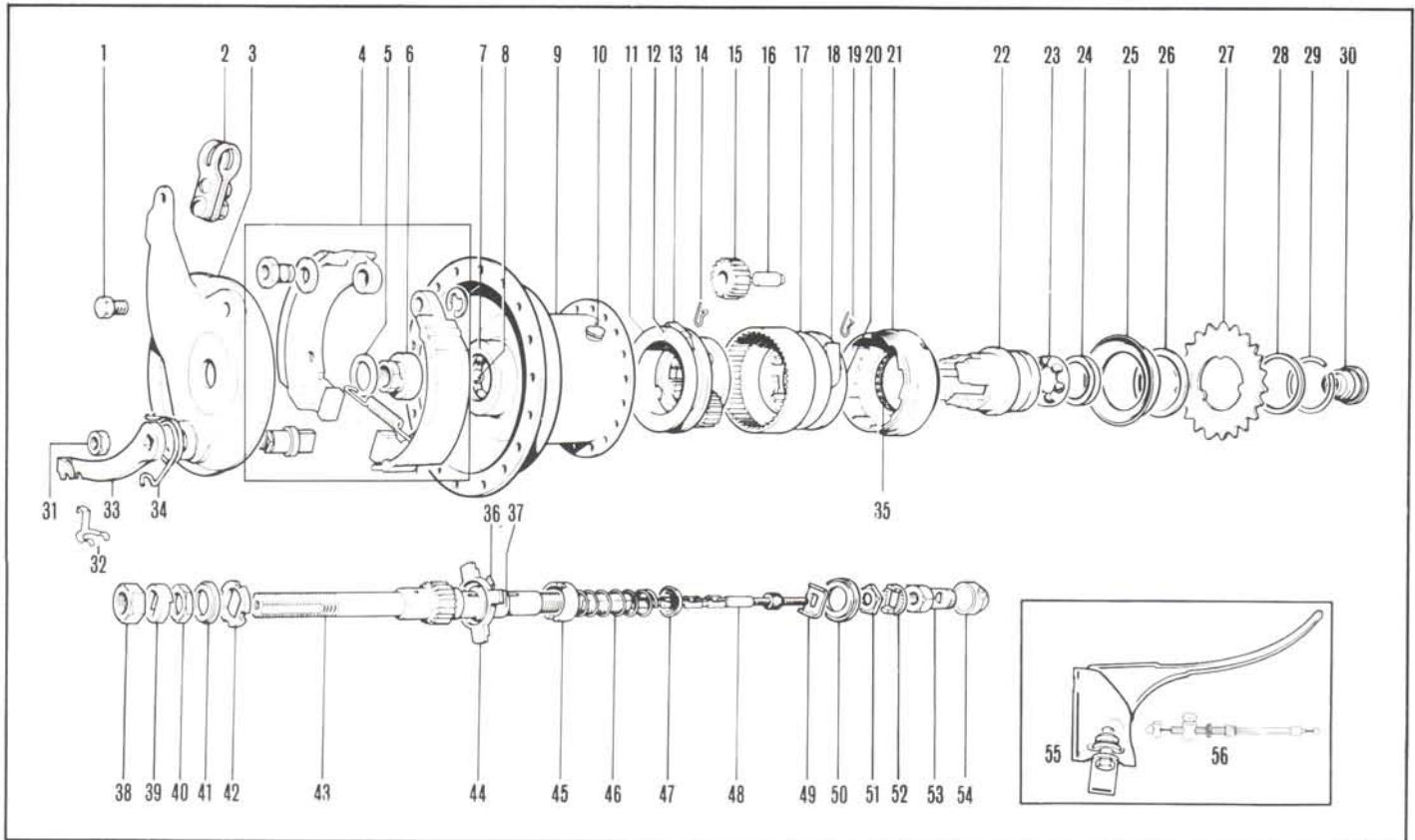


Sturmey ***Archer***

Parts List
Hub Brakes (90 mm)
AB ~ BF ~ BR





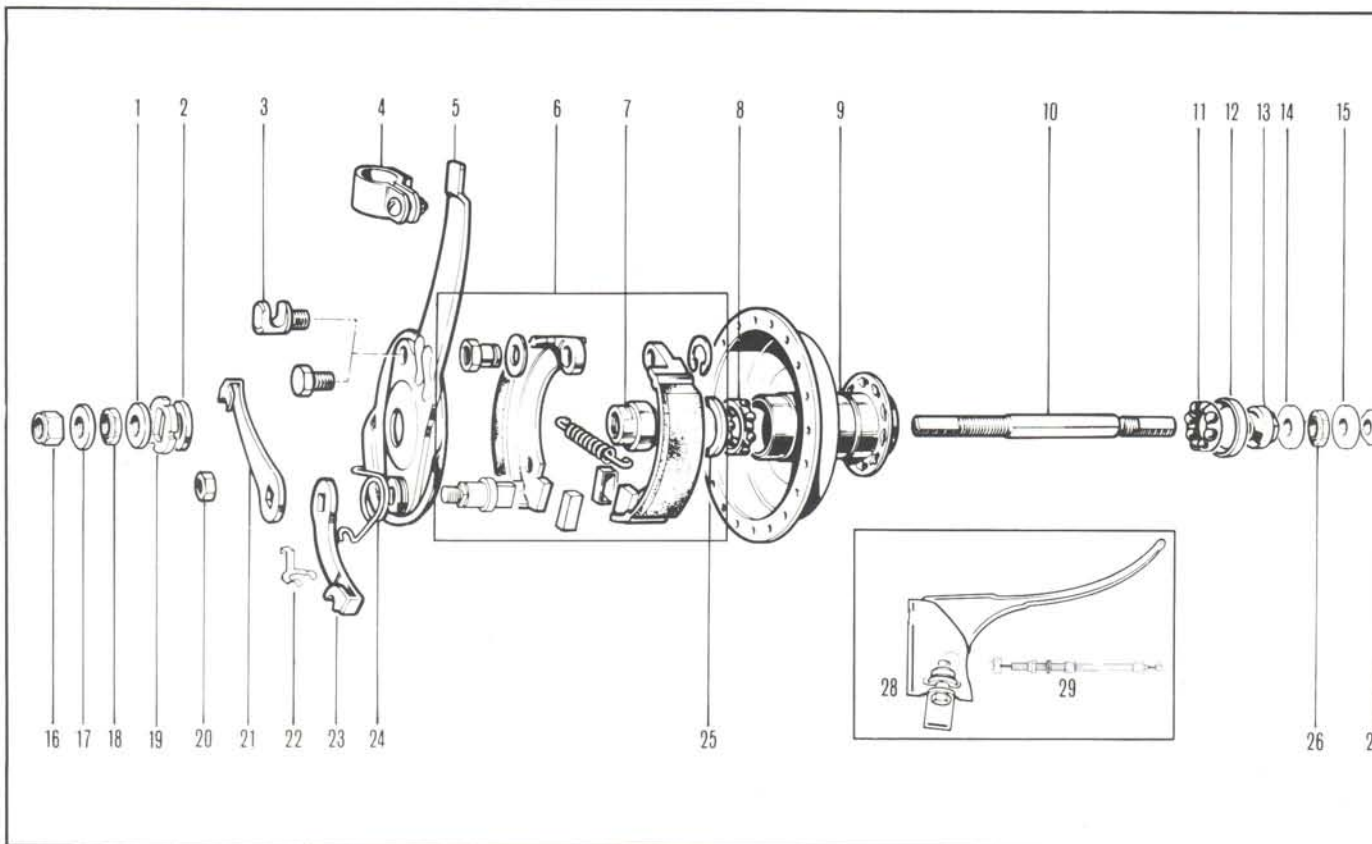
Three Speed Hub Brake Brake Drum Diameter: 90 mm (3 1/2")

Item No.	Sales No.	Description	Item No.	Sales No.	Description	Item No.	Sales No.	Description	
1	HMB 418	Pivot Bolt	23	HSA 284	Ball Cage Assembly R.H. 6.4 mm (1/4") Ball	42	HMW 151	Cone Adjusting Washer	
2	*HCB 101	Brake Arm Clip Assembly 15.9 mm (5/8")	24	HSA 102	Outer Dustcap	43	*HSA 107	Axle 146 mm (5 3/4") with Sun Pinion	
	*HCB 103	Brake Arm Clip Assembly 18.3 mm (29/32")	25	HSL 701	Sprocket Dustcap		*HSA 108	Axle 158.8 mm (6 1/4") with Sun Pinion	
	*HCB 104	Brake Arm Clip Assembly 17.5 mm (11/16")	26	HMW 127	Sprocket Spacing Washer 1.6 mm (1/16")	44	HSA 117	Clutch	
	HSB 401	Strengthening Pad	27	*HSL 713	Sprocket 13 Teeth	45	HSA 283	Thrust Ring	
	*HSL 761	Brake Arm Clip Assembly 19.1 mm (3/4")		*HSL 714	Sprocket 14 Teeth	46	HSA 128	Clutch Spring	
3	HSB 219	Brake Plate and Arm Assembly		*HSL 715	Sprocket 15 Teeth	47	HSA 129	Clutch Spring Cap	
4	HSB 266	Brake Shoe Service Assembly		*HSL 716	Sprocket 16 Teeth	48	*HSA 125	Gear Indicator for 146 mm (5 3/4") Axle	
5	HMW 152	Spacing Washer 2.4 mm (3/32")		*HSL 717	Sprocket 17 Teeth		*HSA 126	Gear Indicator for 158.8 mm (6 1/4") Axle	
6	HSA 234	L.H. Cone		*HSL 718	Sprocket 18 Teeth	49	HMW 147	Cone Lockwasher	
7	HSA 241	Cone Dustcover		*HSL 719	Sprocket 19 Teeth	50	*HMW 129	Spacing Washer 3.2 mm (1/8")	
8	HSA 284	Ball Cage Assembly L.H. 6.4 mm (1/4") Ball		*HSL 720	Sprocket 20 Teeth		*HMW 146	Spacing Washer 1.6 mm (1/16")	
9	*HSA 275	Hub Shell Assembly 28 hole	28	HMW 127	Sprocket Spacing Washer 1.6 mm (1/16")		*HMW 483	Spacing Washer 4.8 mm (3/16")	
	*HSA 155	Hub Shell Assembly 36 hole		29	HSL 721	Sprocket 21 Teeth		*HMW 484	Spacing Washer 6.4 mm (1/4")
	*HSA 154	Hub Shell Assembly 40 hole NB Hub Shell Assemblies include 1 off items 7, 8 and 10	28	HMW 127	Sprocket 22 Teeth	51	HMN 132	Cone Locknut	
10	HSA 106	Lubricator		29	HSL 721	Sprocket 21 Teeth	52	*HMW 155	Serrated Lockwasher 7.9 mm (5/16") Slot
11	HSA 153	Planet Cage		30	HSA 101	Sprocket 22 Teeth		*HMW 494	Serrated Lockwasher 9.5 mm (3/8") Slot
12	HSA 112	Pawl Pin		31	HMN 139	Sprocket Circlip	53	HMN 129	Axle Nut R.H.
13	HSA 111	L.H. Low Gear Pawl		32	*HSK 668	Cone Assembly R.H.	54	*HSL 711	Indicator Guard
14	HSA 120	Pawl Spring		33	HSB 220	Brake Lever Nut	55	*HSK 666	Brake Lever Assembly RH/LH
15	HSA 115	Planet Pinion		34	*HSB 271	Brake Cable Nipple Retainer	56	*HSK 670	Cable Complete
16	HSA 114	Pinion Pin		35	HSA 122	Brake Lever		*HSK 675	Cable Complete 1645 x 1473 mm (64 3/4" x 58") White
17	HSA 118	Gear Ring		36	HSA 124	Brake Arm Spring		*HSK 676	Cable Complete 1645 x 1473 mm (64 3/4" x 58") Black
18	HSA 119	R.H. Pawl for Gear Ring		37	HSA 116	Inner Dustcap			Cable Complete 1645 x 1473 mm (64 3/4" x 58") Silver
19	HSA 120	Pawl Spring		38	HMN 128	Axle Key			
20	HSA 112	Pawl Pin		39	*HMW 155	Clutch Sleeve			
21	HSA 121	R.H. Ball Ring				Axle Nut L.H.			
22	HSA 123	Driver				Serrated Lockwasher 7.9 mm (5/16") Slot			
						Serrated Lockwasher 9.5 mm (3/8") Slot			
						Cone Locknut			
						Spacing Washer 3.2 mm (1/8")			
						Spacing Washer 1.6 mm (1/16")			
						Spacing Washer 4.8 mm (3/16")			
						Spacing Washer 6.4 mm (1/4")			

*Optional fitment

*Optional fitment

*Optional fitment

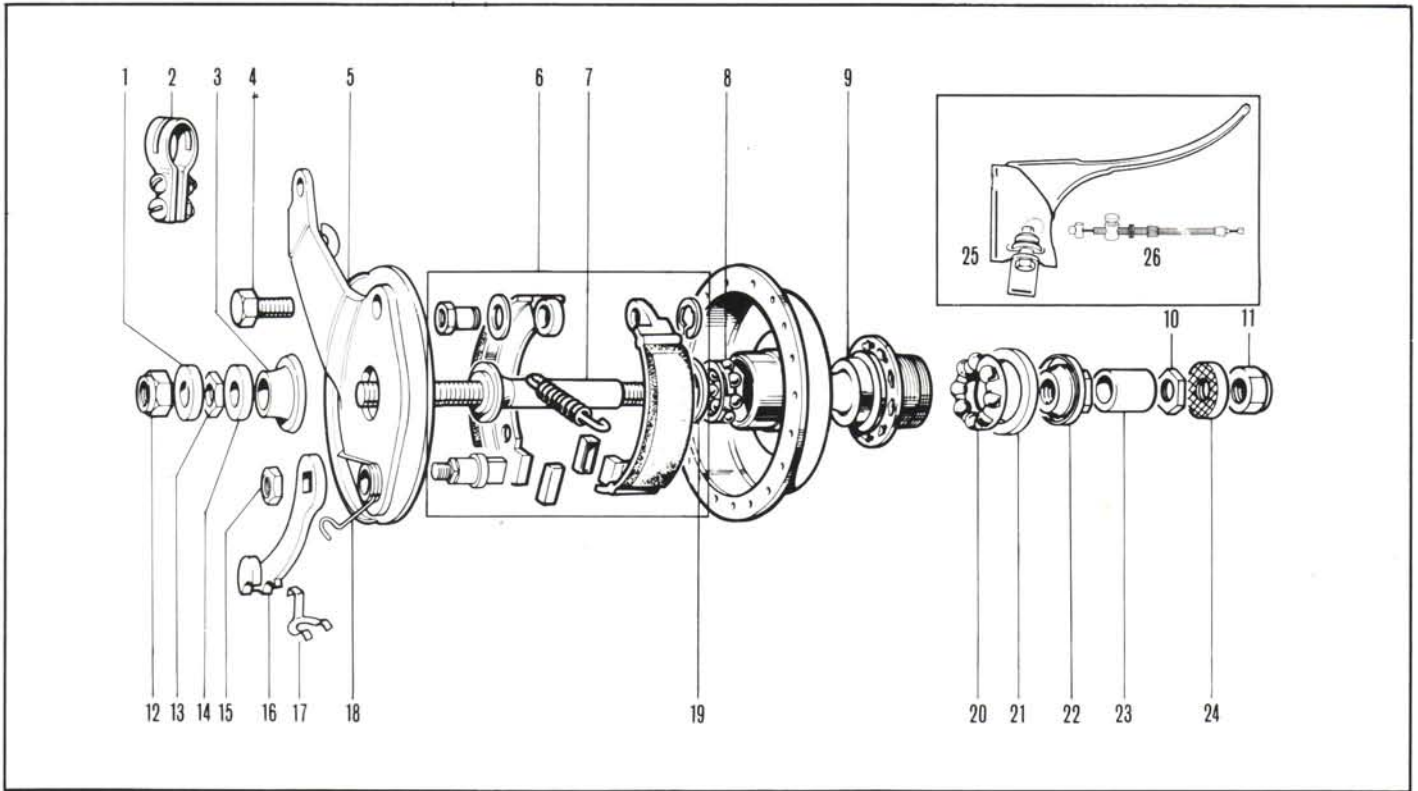


Brake Drum Diameter: 90 mm (3½")

Item No.	Sales No.	Description	Item No.	Sales No.	Description
1	*HMW 129	Spacing Washer 3.2mm (1/8")	14	*HMW 129	Spacing Washer 3.2 mm (1/8")
	*HMW 146	Spacing Washer 1.6 mm (1/16")		*HMW 146	Spacing Washer 1.6 mm (1/16")
	*HMW 483	Spacing Washer 4.8 mm (3/16")		*HMW 483	Spacing Washer 4.8 mm (3/16")
	*HMW 484	Spacing Washer 6.4 mm (1/4")		*HMW 484	Spacing Washer 6.4 mm (1/4")
2	HMW 152	Spacing Washer 2.4 mm (3/32")	15	PMW 137	Axle Washer 3.2 mm (1/8")
3	*HSB 226	Cable Wire Guide	16	HMN 118	Axle Nut
	*HMB 418	Pivot Bolt — Rod Operation	17	PMW 137	Axle Washer 3.2 mm (1/8")
4	*HSL 702	Brake Arm Clip Assembly 17.4 mm (11/16")	18	*HMN 137	Cone Locknut — Non-spigotted
	*HSL 703	Brake Arm Clip Assembly 18.3 mm (23/32")		*HMN 138	Cone Locknut — Spigotted
5	*HSB 202	Brake Plate & Arm for Rod Operation — BF	19	HMW 151	Cone Adjusting Washer
	*HSB 203	Brake Plate & Arm for Cable Operation — BF/C	20	HMN 139	Brake Lever Nut
6	HSB 266	Brake Shoe Service Assembly	21	*HSB 205	Brake Lever for Cable Operation
7	HSA 236	L.H. Cone	22	*HSK 668	Brake Cable Nipple Retainer
8	HSA 284	Ball Cage Assembly L.H. 6.4 mm (1/4") Ball	23	*HSB 204	Brake Lever for Rod Operation
9	*HSB 250	Hub Shell Assembly 28 hole	24	*HSB 271	Brake Arm Spring — For Use with Item 23
	*HSB 251	Hub Shell Assembly 32 hole	25	HSA 241	Dustcap
	*HSB 252	Hub Shell Assembly 36 hole	26	*HMN 137	Cone Locknut — Non-spigotted
		NB Hub Shell Assemblies include 1 off items 8, 11, 12 & 25		*HMN 138	Cone Locknut — Spigotted
10	*HSB 216	Axle 127 mm (5")	27	HMN 118	Axle Nut
	*HSB 217	Axle 121 mm (4 3/4")	28	*HSK 666	Brake Lever Assembly RH/LH
11	HSA 284	Ball Cage Assembly R.H. 6.4 mm (1/4") Ball	29	*HSK 669	Cable Complete 1045 x 915 mm (41 1/8" x 36") White
12	HSA 241	Cone Dust Cover		*HSK 674	Cable Complete 1045 x 915 mm (41 1/8" x 36") Black
13	HSA 237	R.H. Cone		*HSK 677	Cable Complete 1045 x 915 mm (41 1/8" x 36") Silver

*Optional fitment

*Optional fitment



Brake Drum Diameter: 90 mm (3½")

Item No.	Sales No.	Description	Item No.	Sales No.	Description
1	PMW 137	Axle Washer 3.2 mm (1/8")	14	*HMW 129	Spacing Washer 3.2 mm (1/8")
2	*HCB 101	Brake Arm Clip 15.9 mm (5/8")		*HMW 146	Spacing Washer 1.6 mm (1/16")
	*HCB 103	Brake Arm Clip 18.3 mm (23/32")		*HMW 483	Spacing Washer 4.8 mm (3/16")
	*HCB 104	Brake Arm Clip 17.5 mm (11/16")		*HMW 484	Spacing Washer 6.4 mm (1/4")
	HSB 401	Strengthening Pad	15	HMN 139	Brake Lever Nut
	*HSL 761	Brake Arm Clip Assembly 19.1 mm (3/4")	16	HSB 220	Brake Lever
3	*HSB 255	Spacer L.H.	17	*HSK 668	Brake Cable Nipple Retainer
4	HMB 418	Pivot Bolt	18	*HSB 271	Brake Arm Spring
5	HSB 219	Brake Plate & Arm Assembly	19	HSB 265	Cone Dustcover L.H.
6	HSB 266	Brake Shoe Service Assembly	20	HSA 284	Ball Cage Assembly R.H. 6.4 mm (1/4") Ball
7	*HSB 284	Axle and Fixed Cone Assembly 158.8 mm (6 1/4")	21	HSA 102	Outer Dustcap
	*HSA 348	Axle and Fixed Cone Assembly 158.8 mm (6 1/4") for Derailleur Hub	22	HSD 379	R.H. Cone Assembly
8	HSB 270	Ball Cage Assembly L.H. 4.8 mm (3/16") Ball	23	*HMW 496	Spacer 16.8 mm (2 1/32") — For Derailleur
9	*HSB 253	Hub Shell Assembly 36 hole		*HMW 129	Spacing Washer 3.2 mm (1/8")
	*HSB 254	Hub Shell Assembly 40 hole		*HMW 146	Spacing Washer 1.6 mm (1/16")
		NB Hub Shell Assemblies include 1 off items, 8, 19, 20 and 21		*HMW 483	Spacing Washer 4.8 mm (3/16")
10	*HMN 137	Cone Locknut — Non-spigotted		*HMW 484	Spacing Washer 6.4 mm (1/4")
	*HMN 138	Cone Locknut — Spigotted	24	PMW 137	Axle Washer 3.2 mm (1/8")
11	HMN 118	Axle Nut	25	*HSK 666	Brake Lever Assembly RH/LH
12	HMN 118	Axle Nut	26	*HSK 670	Cable Complete 1645 x 1473 mm (64 3/4" x 58") White
13	*HMN 137	Cone Locknut — Non-spigotted		*HSK 675	Cable Complete 1645 x 1473 mm (64 3/4" x 58") Black
	*HMN 138	Cone Locknut — Spigotted		*HSK 676	Cable Complete 1645 x 1473 mm (64 3/4" x 58") Silver

*Optional fitment

*Optional fitment

REPRESENTED THROUGHOUT THE WORLD

TI Sturmey-Archer Ltd.

Nottingham, England NG7 2DD.

U.K. Trade Tel. (0602) 700171.

Telex 37681 RALIND G (PARTS).

Head Office Tel. (0602) 705705.

Telex 378221 TISAL G.

TI Sturmey-Archer of America Inc.

1014 Carolina Drive, West Chicago, IL60185.

Tel. 312/231-5150.

Toll Free Order Line 1-800-323-9194.

Telex 9102303297 TISA WC GO.

LTE 103